
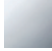

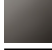
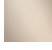



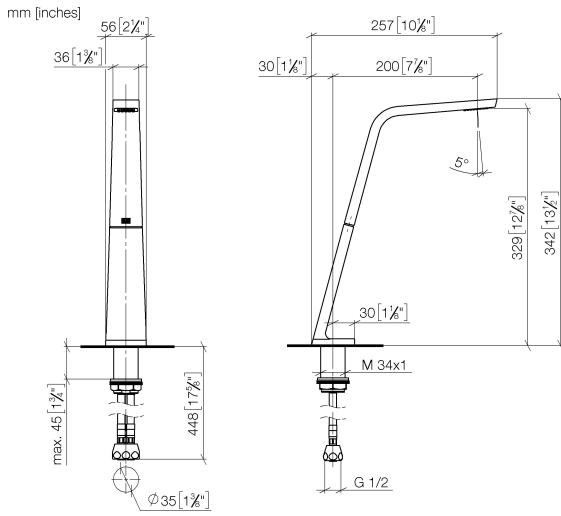
13 717 705



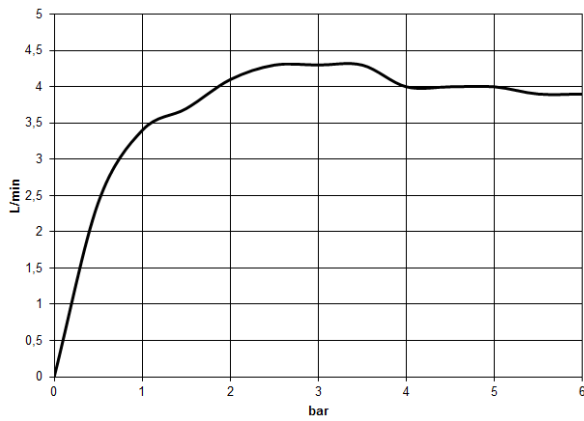
- 200mm projection
- fixed spout
- rectangular spray pattern with 40 individual jets
- height of mixer 343 mm
- height up to aerator 329 mm
- hole diameter 35 mm
- max. flow 4 l/min
- 1/2" connection
- 2x screw-in M 10 x 1 pressure hose, leak-tested
- lead-free
- This product can help a building meet the requirements of Green Building Rating Systems, e.g. LEED®, BREEAM®, DGNB

| | | |
|---|-------------------------------|---------------|
|  | Brushed Dark Platinum | 13 717 705-99 |
|  | Chrome | 13 717 705-00 |
|  | Brushed Platinum | 13 717 705-06 |
|  | Dark Chrome | 13 717 705-19 |
|  | Brushed Champagne (22kt Gold) | 13 717 705-46 |
|  | Champagne (22kt Gold) | 13 717 705-47 |

13 717 705



Flow rate chart

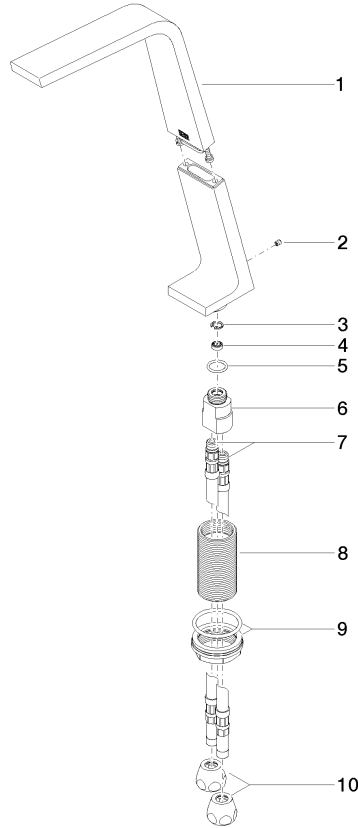


Certificates

GDV_0400279. LGA_28686. IAPMO_N-4976. IAPMO_8834 (1). WRAS_1512011.
IAPMO_4976 (4). IAPMO_6397.

13 717 705

Parts for other finishes can be found here: [Chrome](#)



Spare parts list

| No. | Item Number | Name | Quantity used | Delivery time |
|-----|--------------------|--------------------|---------------|---------------|
| 1 | 90 11 70 003 00-99 | spout | 1 | 30 |
| 2 | 09 31 11 044 90 | pin | 1 | 2 |
| 3 | 09 16 01 016 90 | ring | 1 | 2 |
| 4 | 09 23 01 034 90 | flow reducer | 1 | 2 |
| 5 | 09 14 10 130 90 | seal | 1 | 2 |
| 6 | 09 11 10 055 10 90 | connection | 1 | 2 |
| 7 | 04 30 04 016 00 90 | hose | 2 | 60 |
| 8 | 09 30 01 208 90 | connection | 1 | 2 |
| 9 | 04 23 10 044 06 90 | fixing set | 1 | 2 |
| 10 | 90 23 30 040 00-99 | threaded connector | 2 | 30 |